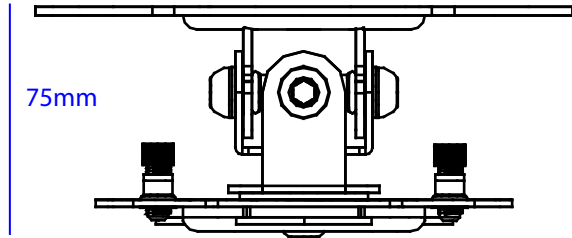
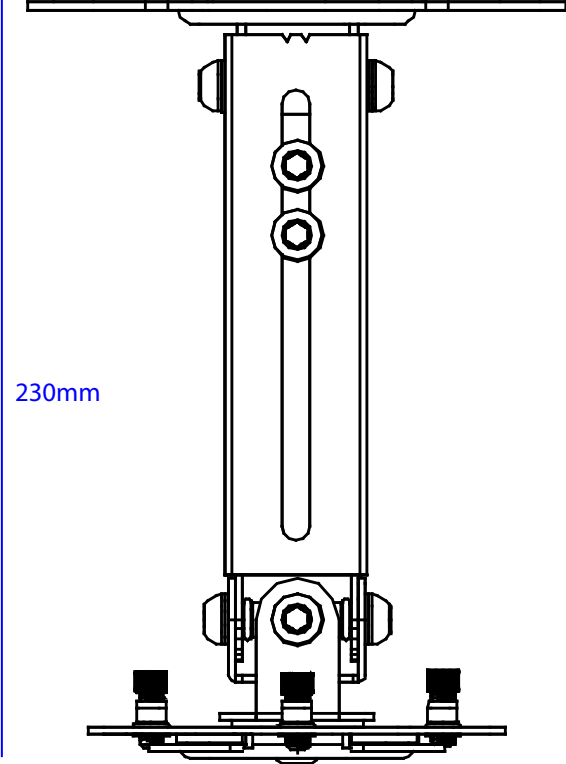
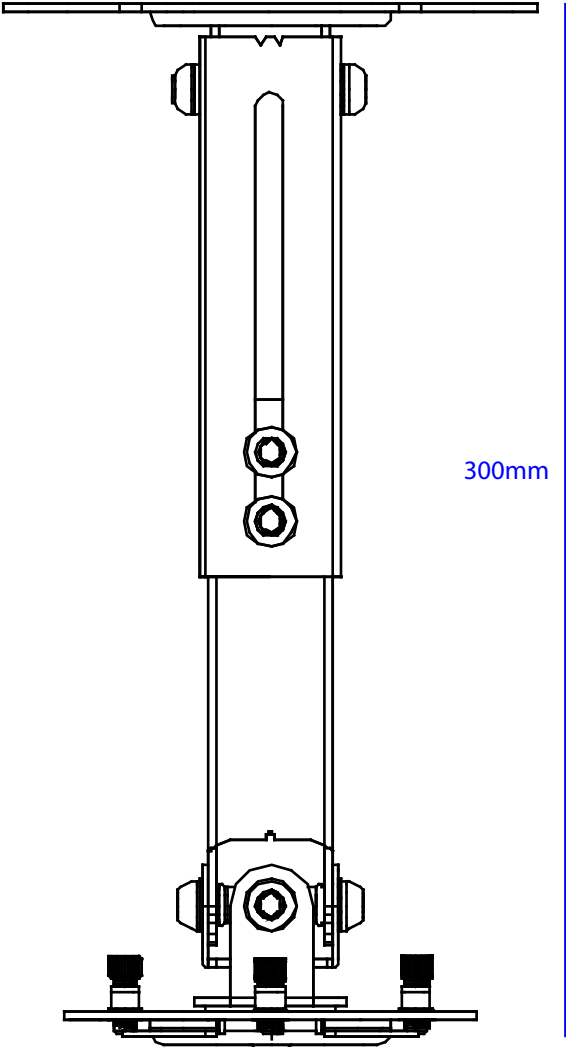
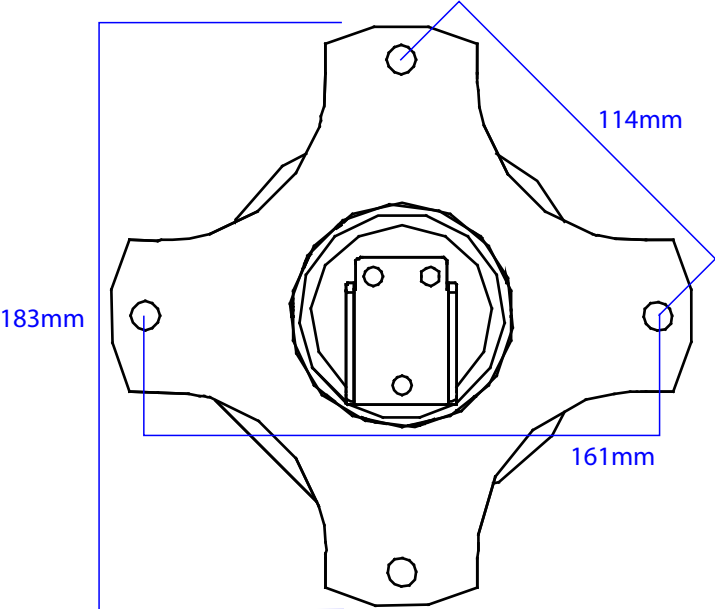


GYROLOCK GK

The GK1 allows 230 - 300mm adjustment
The GK2 allows 230 - 700mm adjustment
The GK3 allows 700 - 1200mm adjustment



GKC