

Bay Cat X



Bigger, better direct-view LCD

The Clarity Bay Cat X is a 46" display that represents the cutting-edge of direct-view LCD technology. It combines ultra-high resolution and unparalleled image quality with configurable I/O in a large format for a wide range of digital signage and mission-critical applications. And its available protective front faceplate ensures durability. When space is tight, there is no better display.

Features

Flat panel form factor

less than 4" deep

Ultra high resolution

1920 x 1080

Long backlight life

Intelligent sensor adjusts backlight to lighting conditions

Lower cost of ownership than plasma

Lightweight, low power, long life

Integration-ready design

metal enclosure, unobtrusive I/O, integrated wall mount

Image quality in any environment

170° viewing angle, anti-reflective/anti-glare protective glass faceplate

More than a television

Configurable I/O, mounting and networking options

Intelligence and flexibility

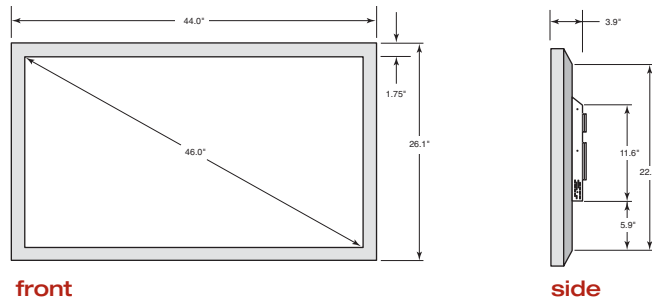
Message In Picture (MIP)
Integrated Big Picture™

Bay Cat X (SN-4620-1080)

Display resolution	1920 x 1080
Aspect ratio (W:H)	16:9
Screen dimensions	
Diagonal	46.0" (116.8 cm)
Width by height	40.1" x 22.6" (101.9 cm x 57.4 cm)
Cabinet dimensions (WxHxD)	44.0" x 26.1" x 3.9" (111.8 cm x 66.3 cm x 9.9 cm)
Screen brightness	450 nits (131 ftL)
Response time	8 msec
Contrast ratio (full field)	900:1
Viewing angle	170° (+/-85° H and V)
Colors	16.7 million
Color gamut	>70% NTSC, >100% EBU
Weight*	73 lbs (33 kg)
Backlight type	Fluorescent
Backlight life (1/2 brightness)	60,000 hours
Line Voltage	100-120V, 200-240V @ 50/60Hz (auto switching)
Power consumption	~275 watts
Rear ventilation required	0" - wall mountable
Operating temperature	32-86° F (0-30° C)
Operating humidity	20-80% non-condensing
Safety regulations	Complies with UL, cUL, FCC Class A, CISPR22/85, CE (Designed to meet EN60950)
Display technology	Direct view AP/LCD™
Data input (base model)	Analog VGA (640 x 480) to UXGA (1600 x 1200) 480p-1080i on HD15 connector Maximum pixel clock 175MHz
Video input (video model)	Composite video (NTSC, PAL, SECAM) RCA x1 S-Video (NTSC, PAL) on Mini DIN 4-pin connector DVI (VGA-1080p) maximum pixel clock 165MHz Component (Interlaced NTSC, PAL, SECAM) RCA x3
Frame lock	50-65Hz
Display control	RS-232 (with loop through) and IR remote
Ambient noise	<35 dB
Accessories	Mounting bracket (standard) CPU storage wall mount (optional) Wall/ceiling mounts, table/floor stands (optional)
WallNet™	Supported
MIP	Supported
Big Picture™	Integrated

* Weight and dimensions are approximate.

Product dimensions



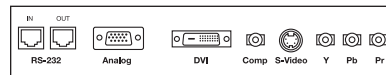
front

side

Modular input/output

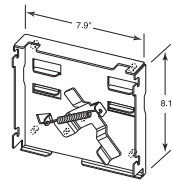


base model
(SN-4620-1080/D)

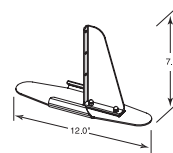


video model
(SN-4620-1080/V)

Accessories



locking mounting bracket (ships standard)



display feet (2)
(FT-4035-X)

